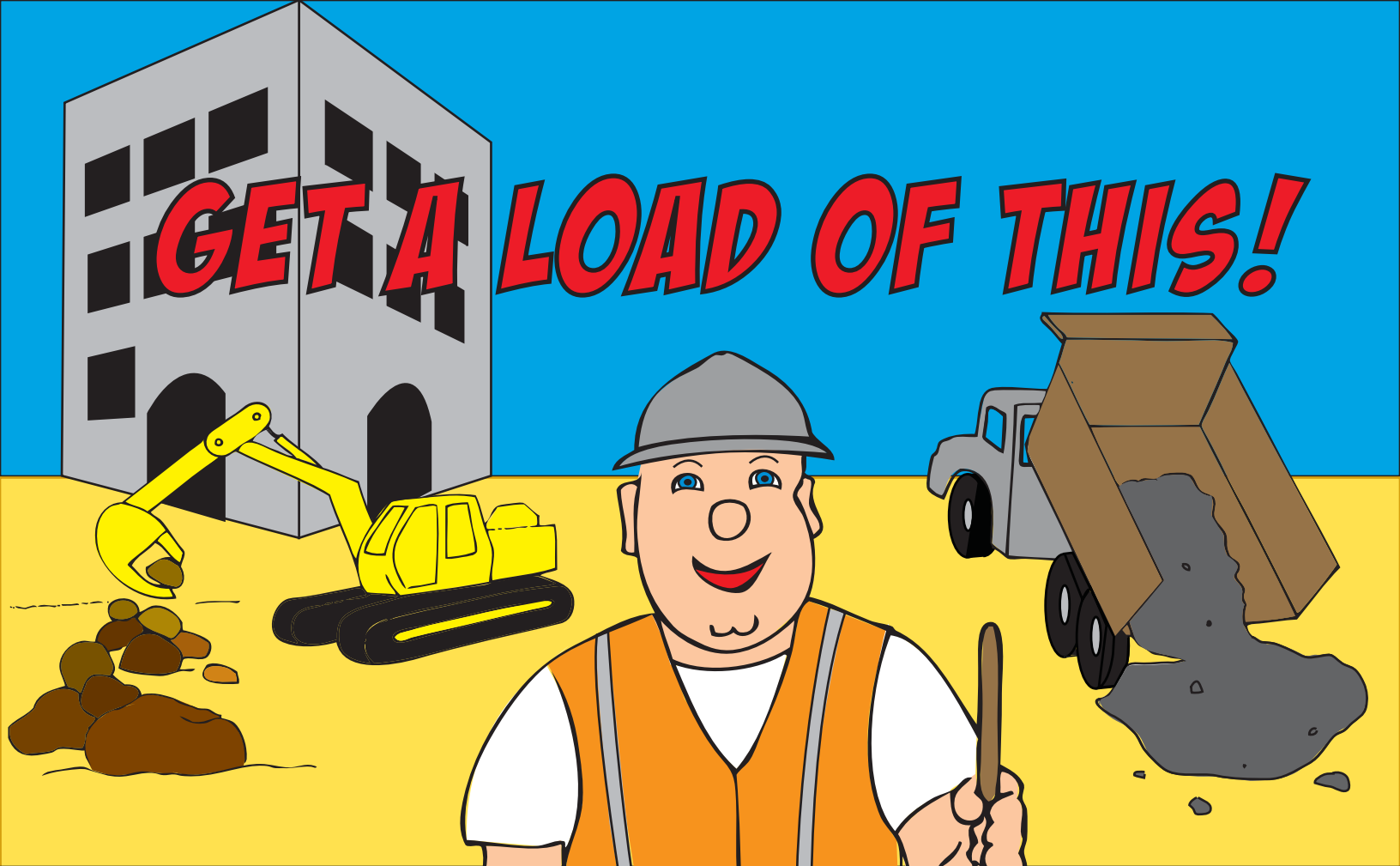


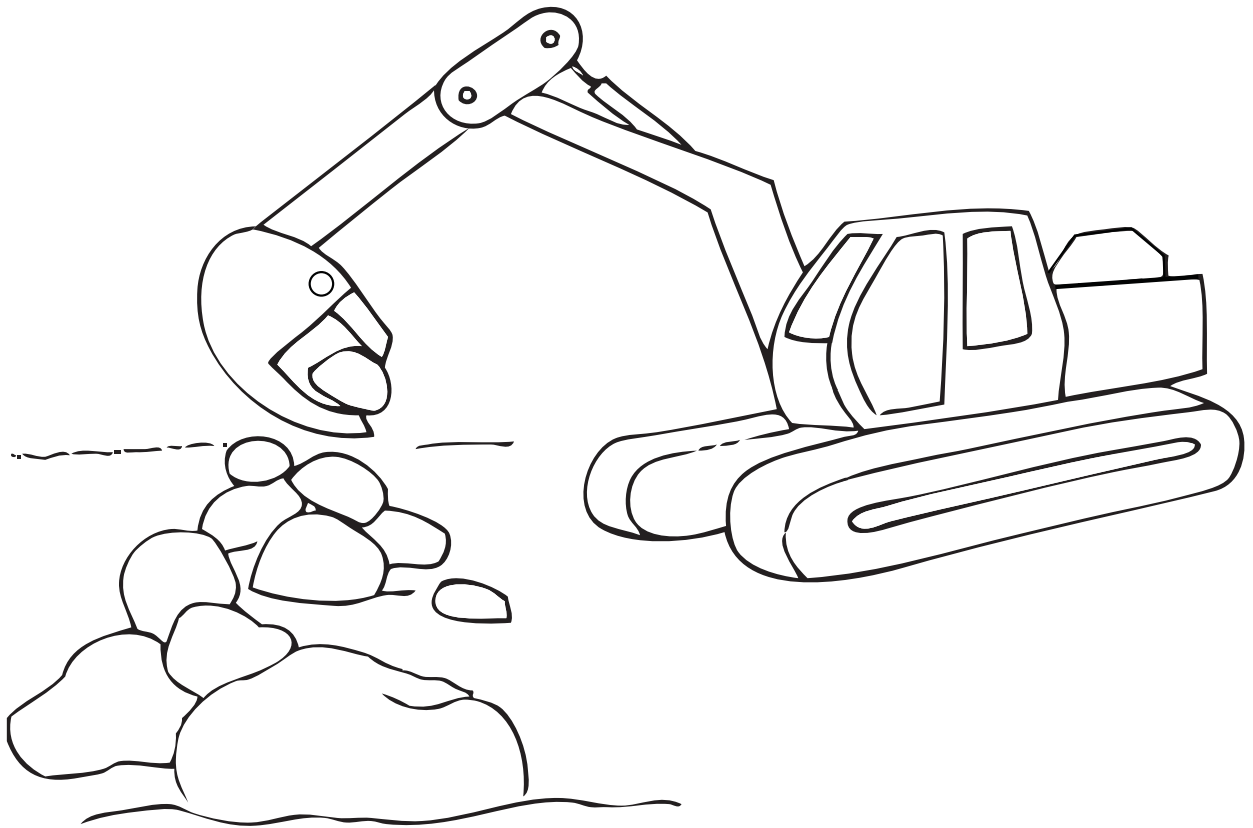
**GET A LOAD OF THIS!**



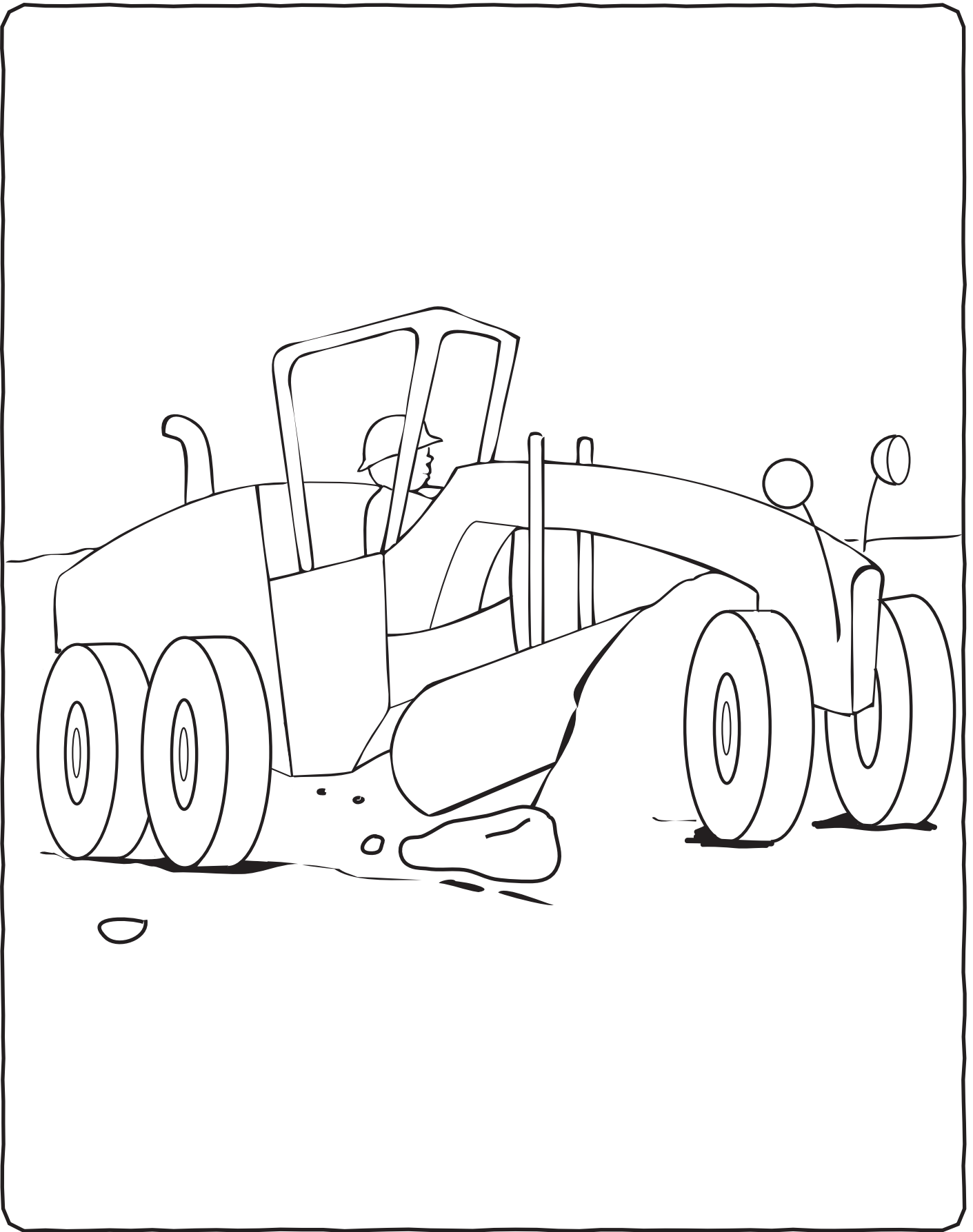
**TEAM**

**Elmers**

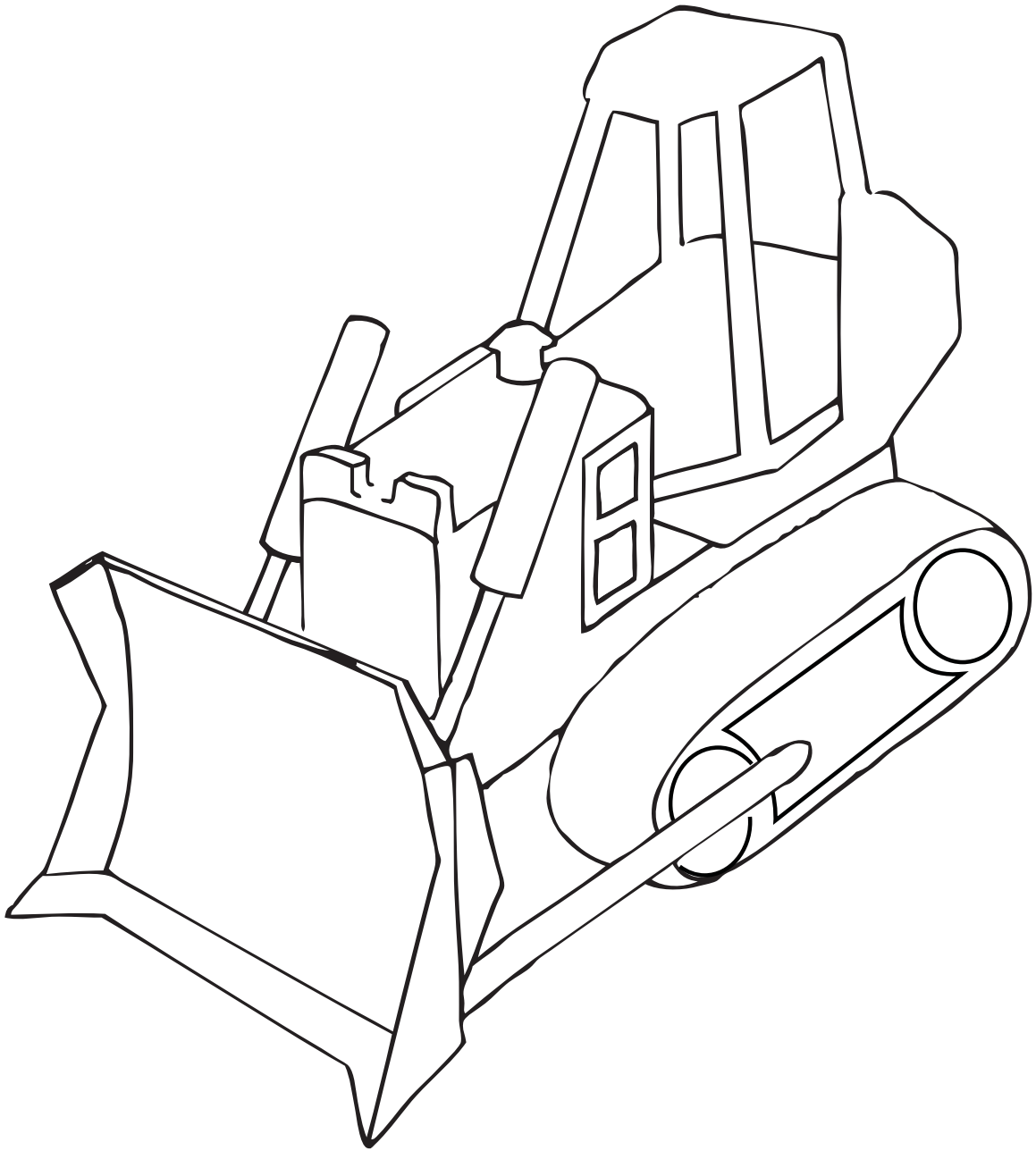
[www.TeamElmers.com](http://www.TeamElmers.com)



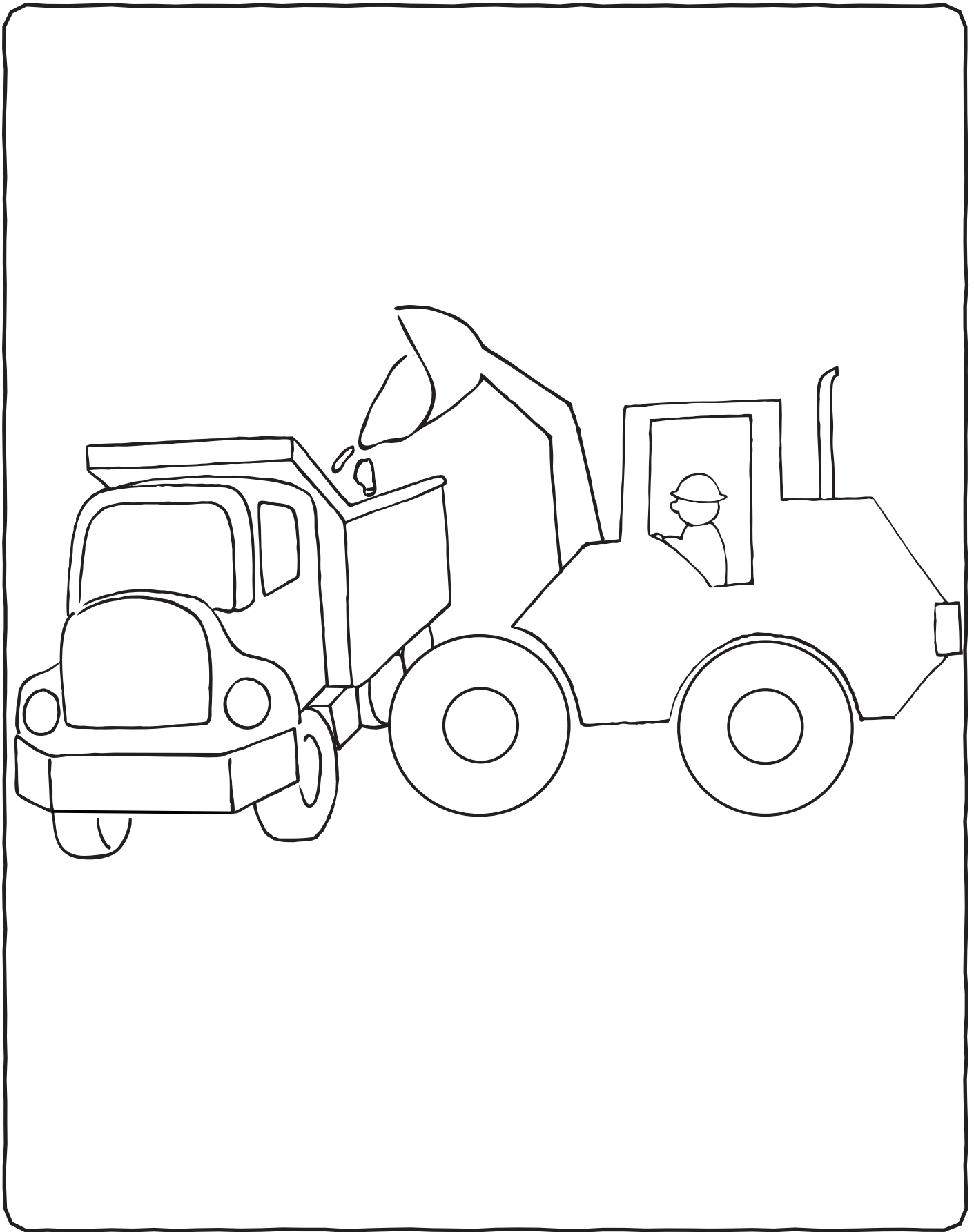
Excavator with thumb bucket



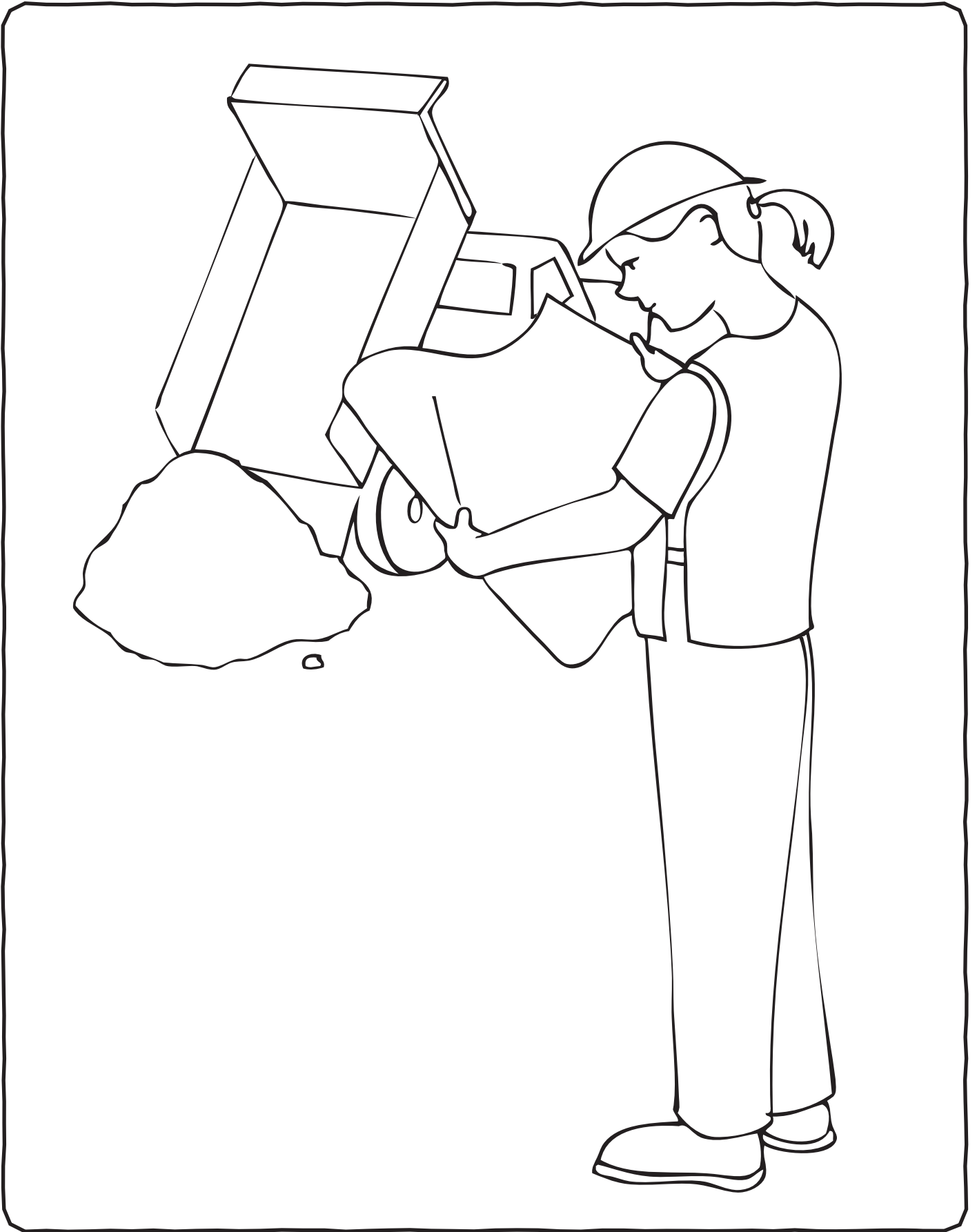
Grader



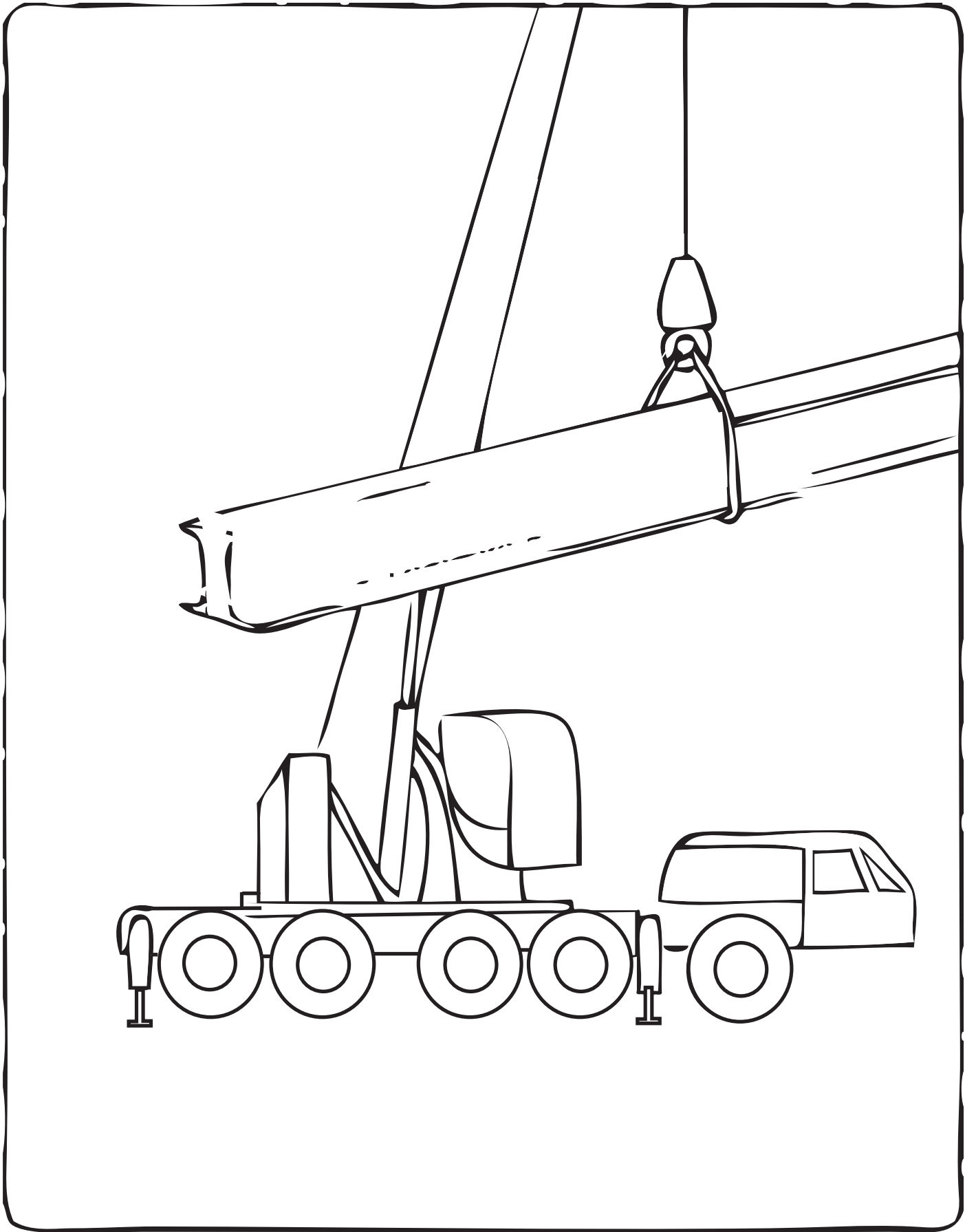
Bull Dozer



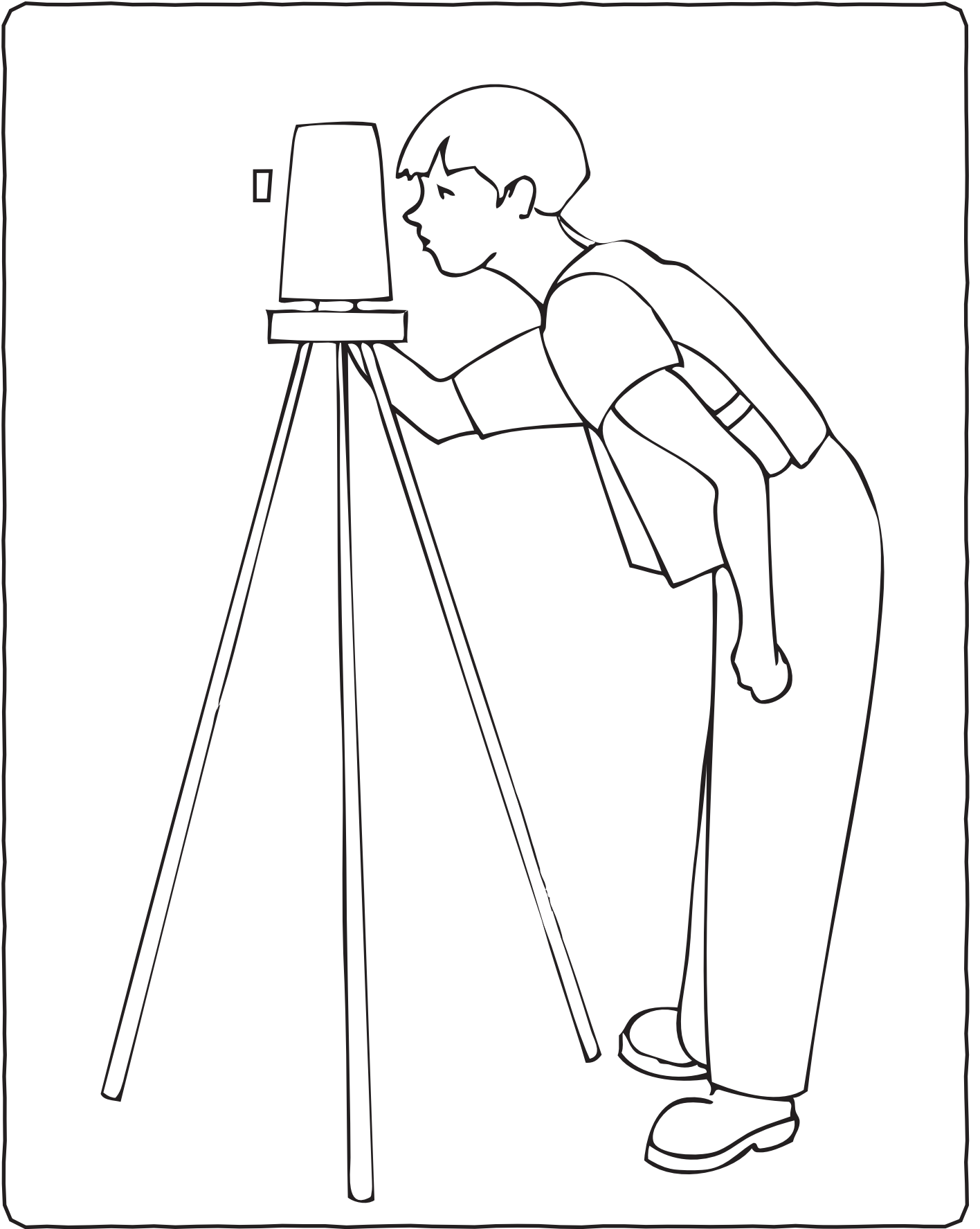
Dump Truck and Loader



Civil Engineer

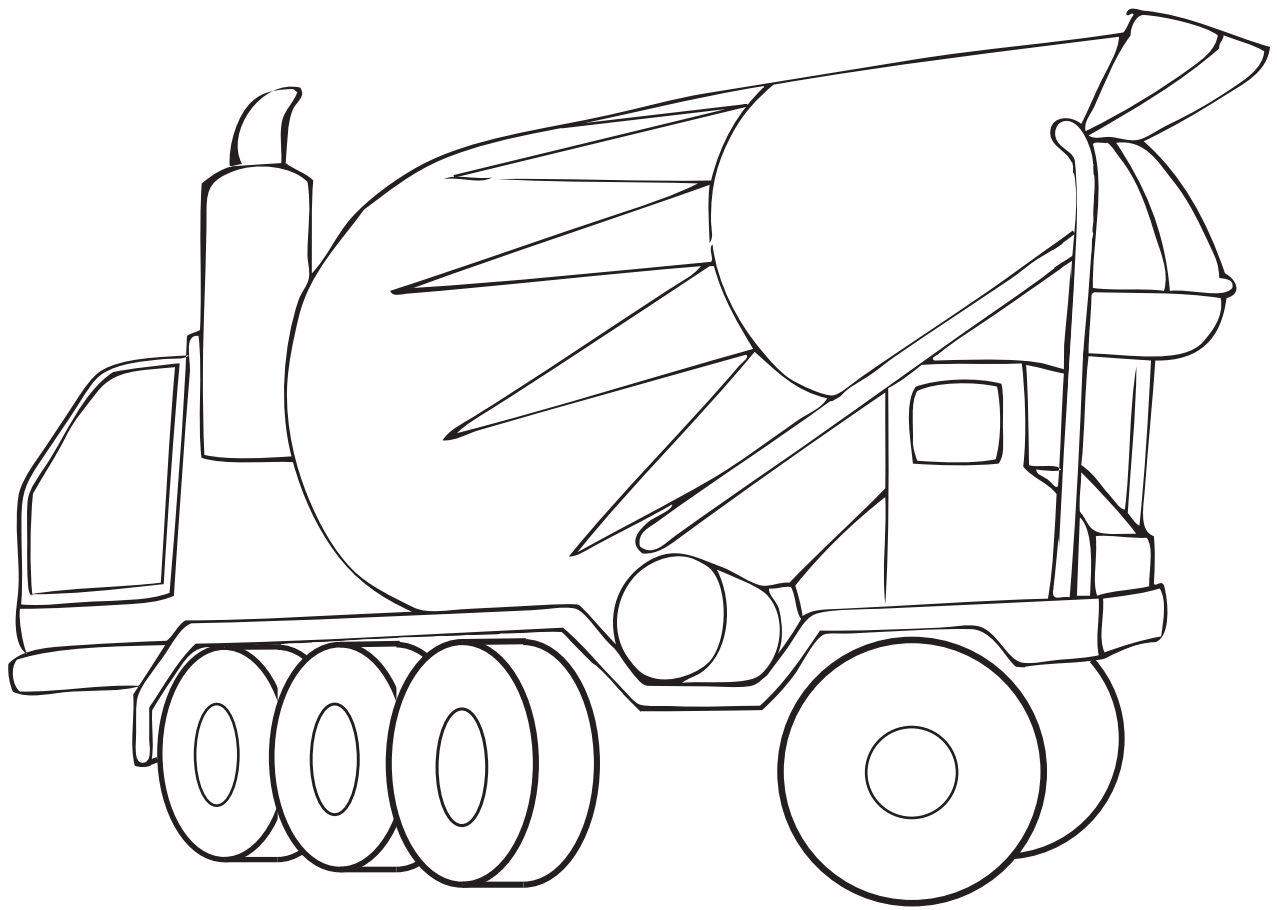


Crane

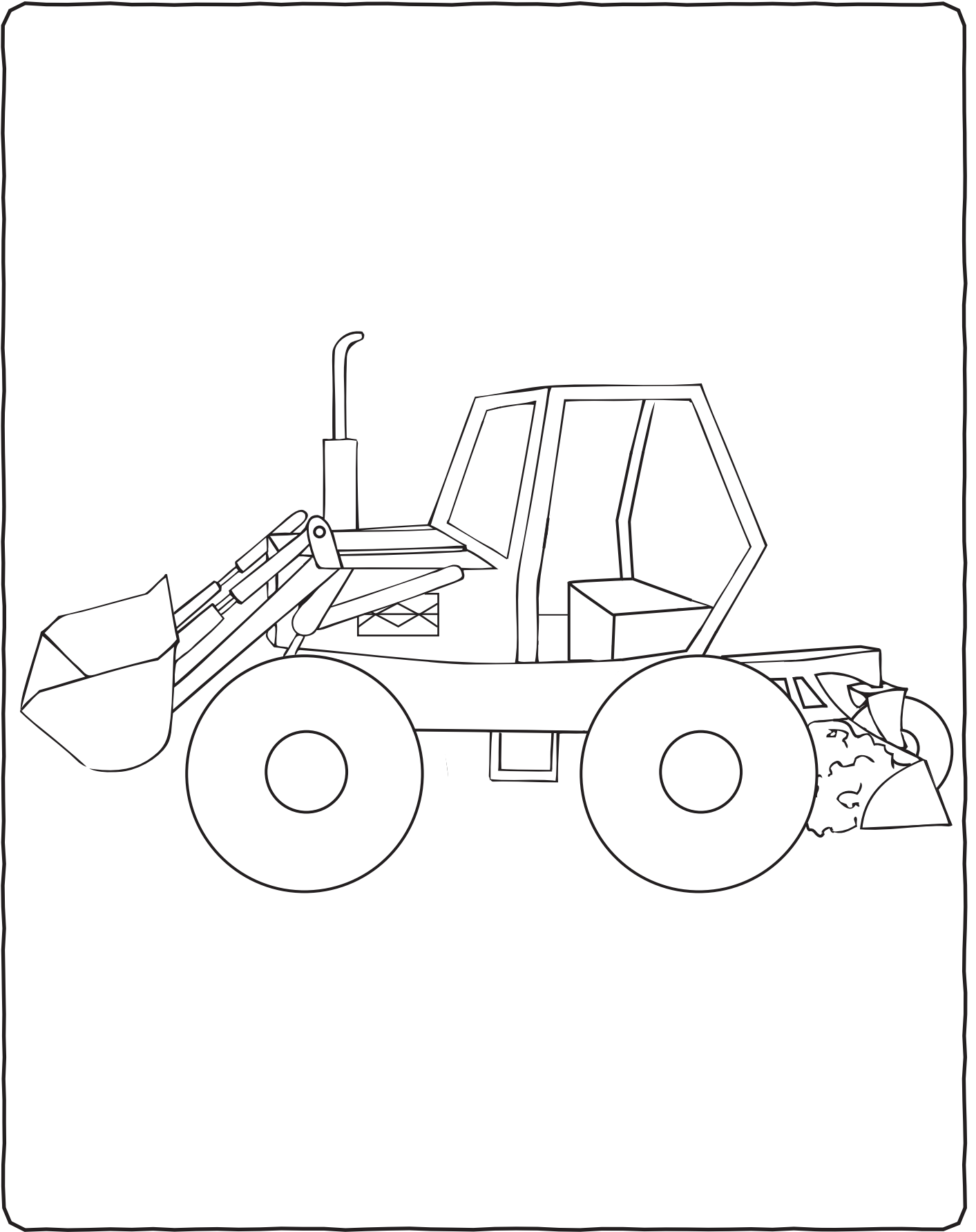


Surveyor

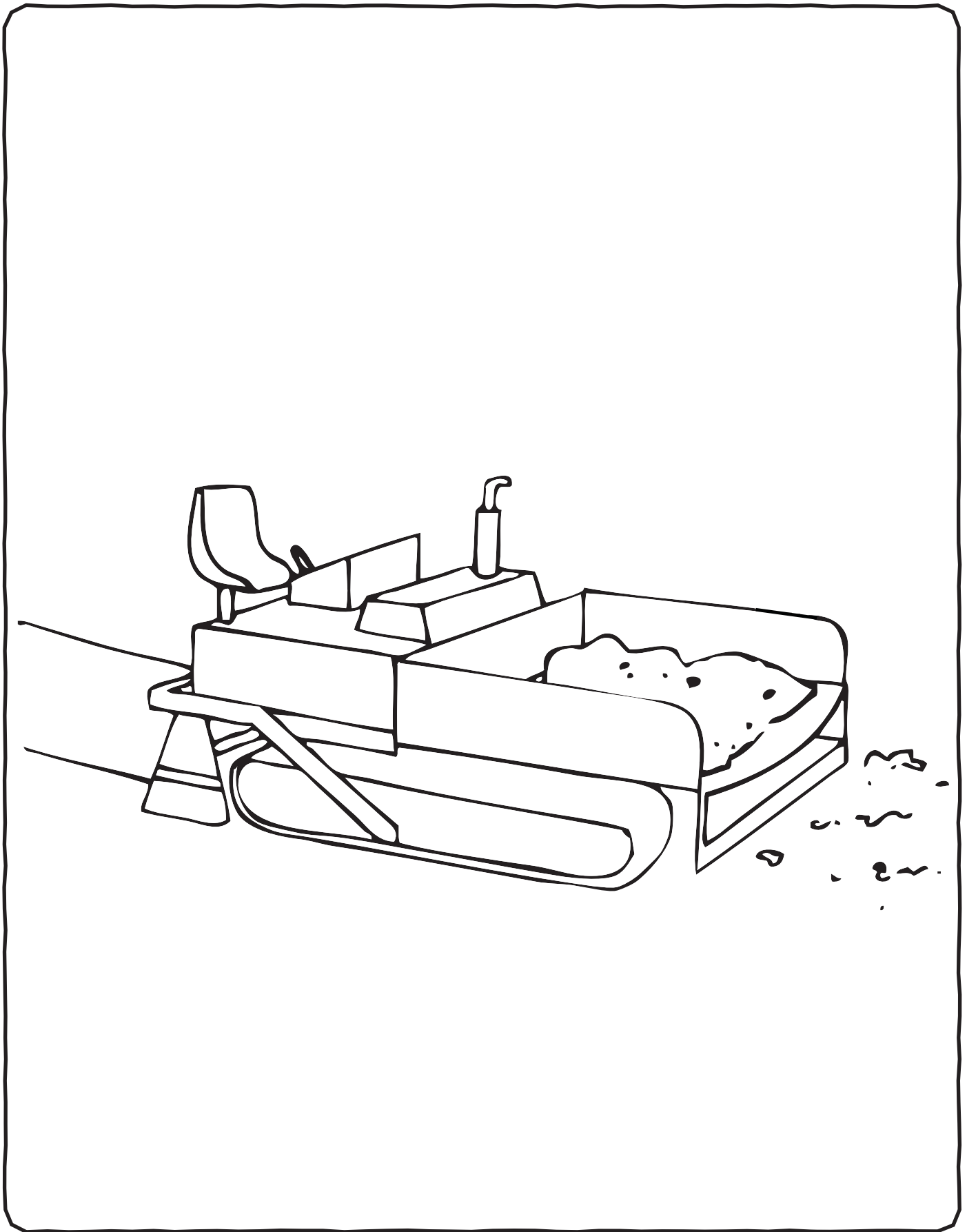




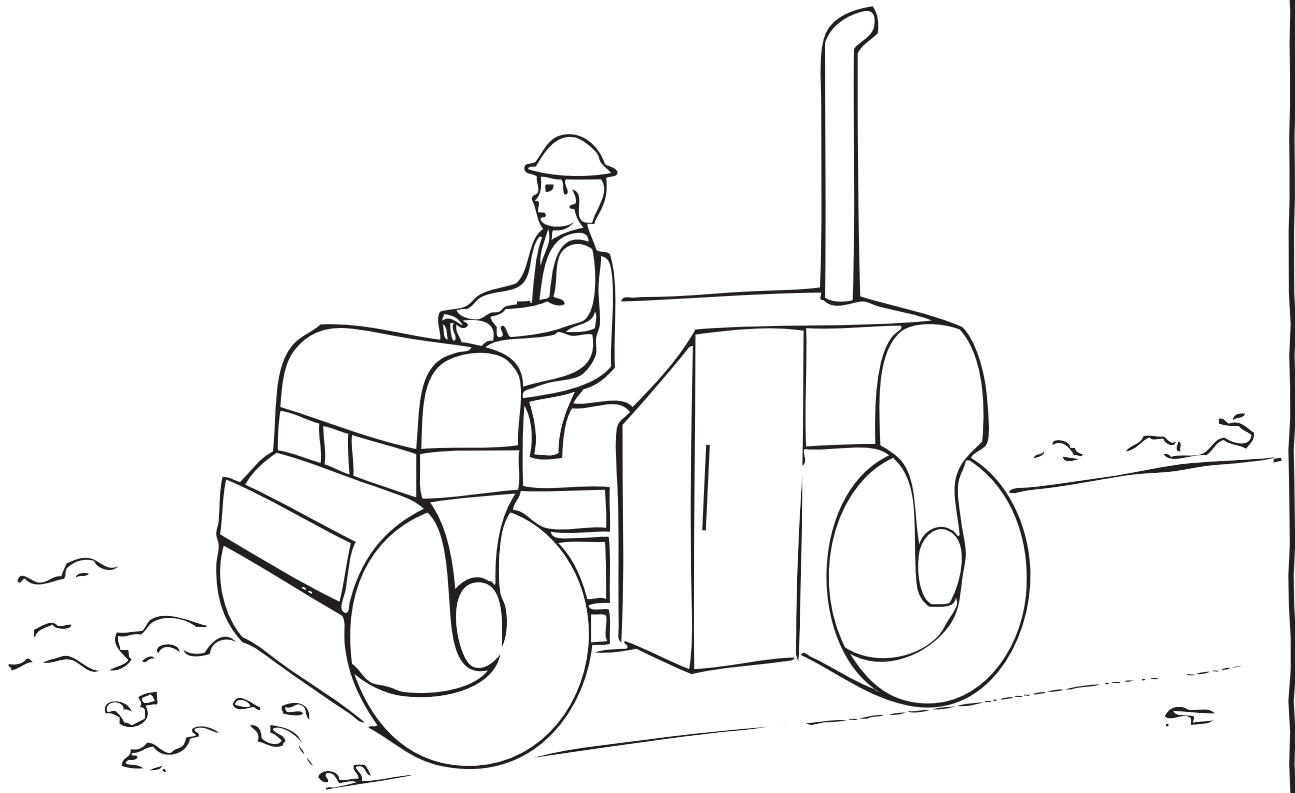
Concrete Truck



Do Mor Grader



Paver

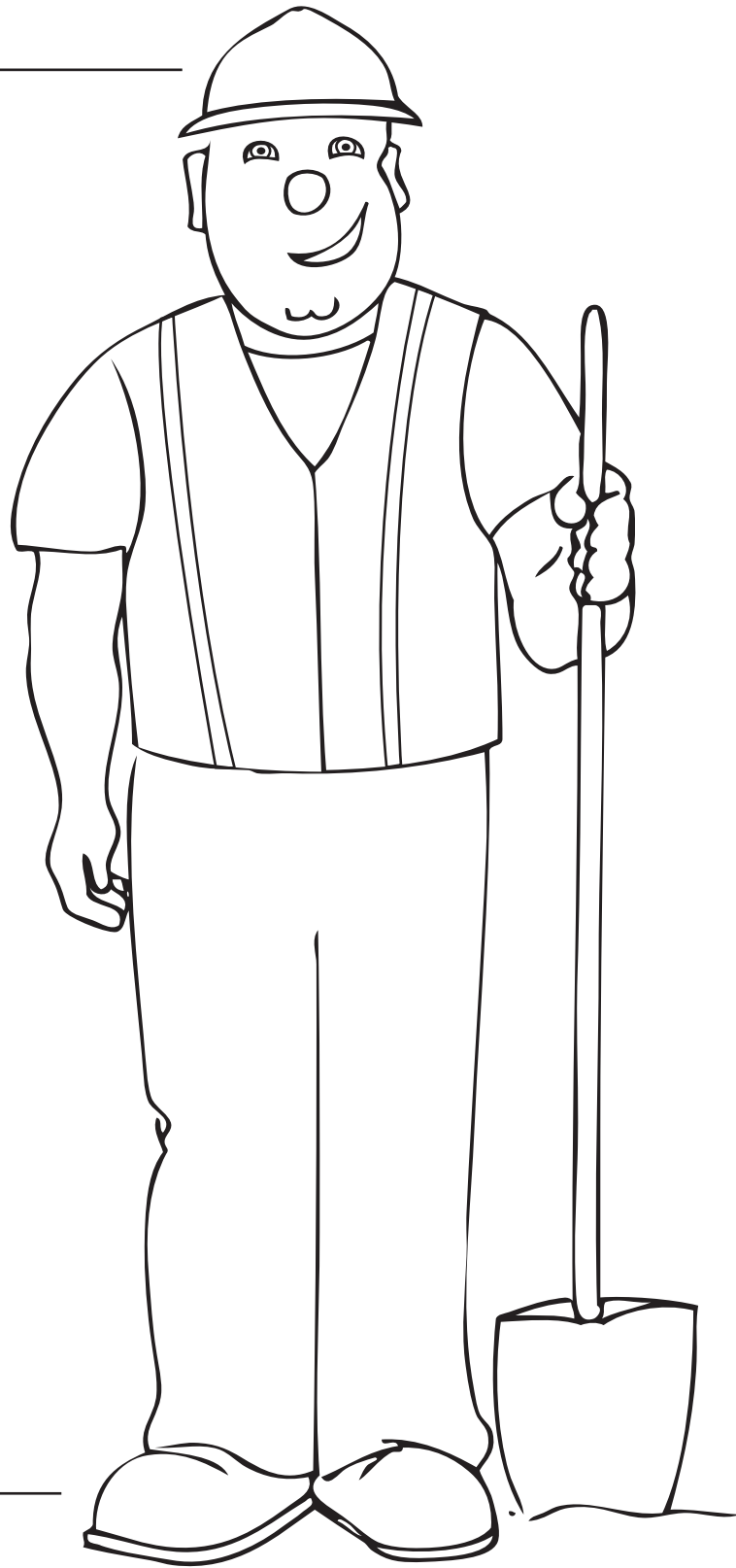


Asphalt Roller

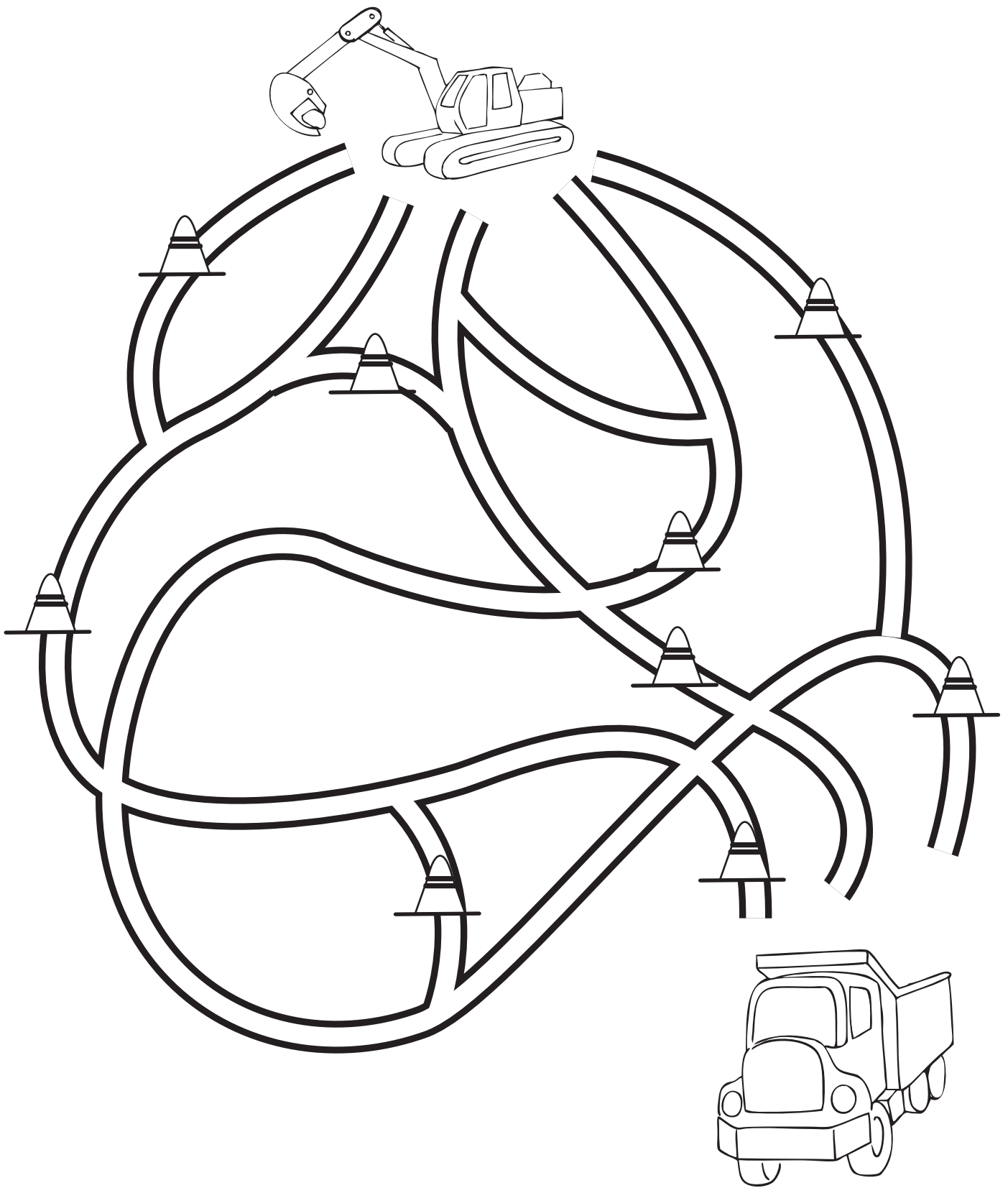
Hard Hat \_\_\_\_\_  
Color Light Blue

Safety Vest \_\_\_\_\_  
Color Orange

Boots \_\_\_\_\_  
Color Brown



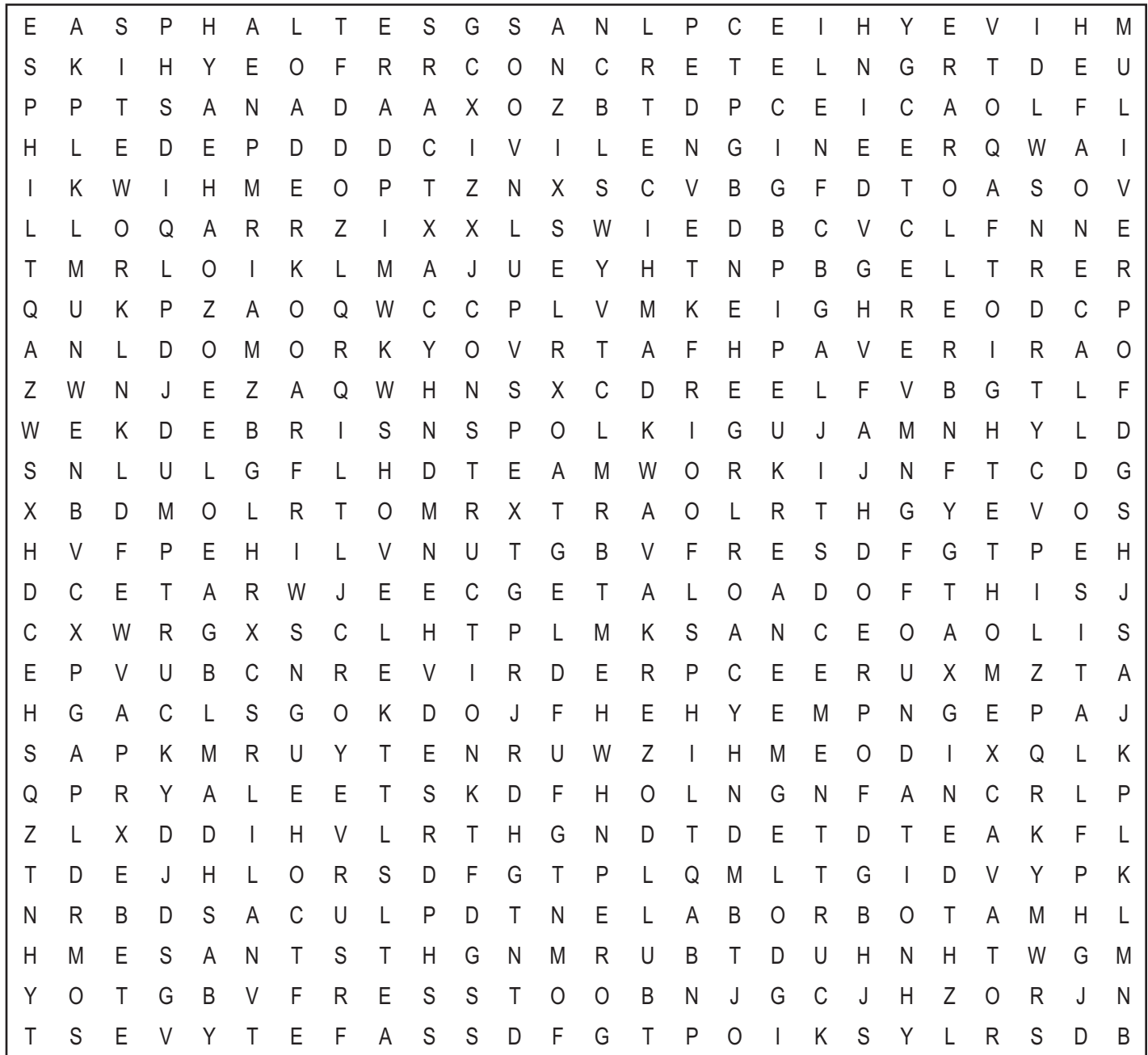
These things are very important to a Construction Worker's safety.



Help the excavator find the open path to the dump truck.

# WORD SEARCH

LOOK FOR THE FOLLOWING TERMS IN THE WORD SEARCH BELOW.  
WORDS WILL BE FOUND HORIZONTAL, VERTICAL, DIAGONAL, AND  
BACKWARDS.



ASPHALT  
BOOTS  
BULLDOZER  
CEMENT TRUCK  
CIVIL ENGINEER  
CONCRETE  
CONSTRUCTION  
CRANE  
DEBRIS  
DEMOLITION  
DOMOR  
DUMP TRUCK

ELMERS  
ERECT  
EXCAVATOR  
FOUNDATION  
GET A LOAD OF THIS  
GRADER  
GRAVEL  
HARD HAT  
LABOR  
LOADER  
ONE CALL DOES IT ALL  
PAVER

PIPE  
RED RIVER  
ROLLER  
SAFETY VEST  
SHOVEL  
SITEPLAN  
SITWORK  
STEEL  
SURVEYOR  
TEAMWORK  
TRAIN

KEY: 35 WORDS

9 HORIZONTAL  
10 VERTICAL  
4 BACKWARDS HORIZONTAL  
4 BACKWARDS VERTICAL  
6 DIAGONAL  
2 DIAGONAL BACKWARDS

TEAM

Shots

[www.teamelmers.com](http://www.teamelmers.com)



ANSWER KEY

E A S P H A L T E S G S A N L P C E I H Y E V I H M  
 S K I H Y E O F R R C O N C R E T E L N G R T D E U  
 P P T S A N A D A A X O Z B T D P C E I C A O L F L  
 H L E D E P D D D C I V I L E N G I N E E R Q W A I  
 I K W I H M E O P T Z N X S C V B G F D T O A S O V  
 L L O Q A R R Z I X X L S W I E D B C V C L F N N E  
 T M R L O I K L M A J U E Y H T N P B G E L T R E R  
 Q U K P Z A O Q W C C P L V M K E I G H R E O D C P  
 A N L D O M O R K Y O V R T A F H P A V E R I R A O  
 Z W N J E Z A Q W H N S X C D R E E L F V B G T L F  
 W E K D E B R I S N S P O L K I G U J A M N H Y L D  
 S N L U L G F L H D T E A M W O R K I J N F T C D G  
 X B D M O L R T O M R X T R A O L R T H G Y E V O S  
 H V F P E H I L V N U T G B V F R E S D F G T P E H  
 D C E T A R W J E E C G E T A L O A D O F T H I S J  
 C X W R G X S C L H T P L M K S A N C E O A O L I S  
 E P V U B C N R E V I R D E R P C E E R U X M Z T A  
 H G A C L S G O K D O J F H E H Y E M P N G E P A J  
 S A P K M R U Y T E N R U W Z I H M E O D I X Q L K  
 Q P R Y A L E E T S K D F H O L N G N F A N C R L P  
 Z L X D D I H V L R T H G N D T D E T D T E A K F L  
 T D E J H L O R S D F G T P L Q M L T G I D V Y P K  
 N R B D S A C U L P D T N E L A B O R B O T A M H L  
 H M E S A N T S T H G N M R U B T D U H N H T W G M  
 Y O T G B V F R E S S T O O B N J G C J H Z O R J N  
 T S E V Y T E F A S S D F G T P O I K S Y L R S D B

ASPHALT  
 BOOTS  
 BULLDOZER  
 CEMENT TRUCK  
 CIVIL ENGINEER  
 CONCRETE  
 CONSTRUCTION  
 CRANE  
 DEBRIS  
 DEMOLITION  
 DOMOR  
 DUMP TRUCK

ELMERS  
 ERECT  
 EXCAVATOR  
 FOUNDATION  
 GET A LOAD OF THIS  
 GRADER  
 GRAVEL  
 HARD HAT  
 LABOR  
 LOADER  
 ONE CALL DOES IT ALL  
 PAVER

PIPE  
 RED RIVER  
 ROLLER  
 SAFETY VEST  
 SHOVEL  
 SITE PLAN  
 SITEWORK  
 STEEL  
 SURVEYOR  
 TEAM WORK  
 TRAIN

**KEY:**  
 35 WORDS  
 9 HORIZONTAL  
 10 VERTICAL  
 4 BACKWARDS HORIZONTAL  
 4 BACKWARDS VERTICAL  
 6 DIAGONAL  
 2 DIAGONAL BACKWARDS